

MODEL: A600

Flanged Swing Check valve 150/300/600LBS



Specification

- Designed as per ASME/ANSI B 16.34 and API 6D or BSI 868 standards.
- Tests per API 598 standards.
- Face to face dimensions per ASME/ANSI B 16.10
- End flange dimensions per ASME/ANSI B 16.5
- Butt-welding ends per ASME/ANSI B 16.25
- Conforms with NACE MR-01-75

Features

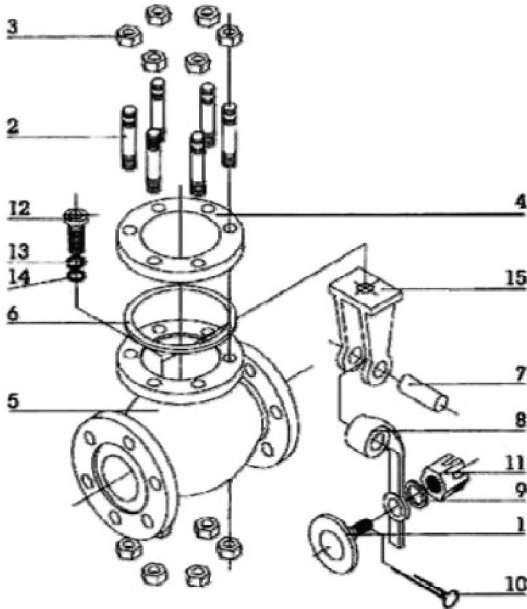
- Bolted cover
- Swing type
- Welded-in seat ring or threaded seat ring with stellite overlay

Available Material

WCB, WCC, LCC, LCB, WC1, WC6, WC9, C5, CF8, CF8M, CF3, CF3M, CN7M

Available Trim

F6, HFS, HF, 304, 316, Monel, Alloy 20
(Trim No. 1, 2, 5, 8, 9, 10, 12, 13, 16, 20)



Valve Component

Material

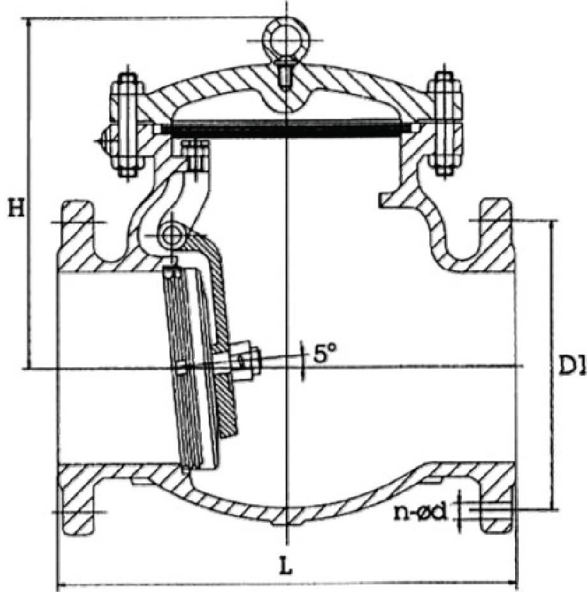
No.	Part Name	Material	
		A216 WCB	A351 CF8M
1	Disc	A216 WCB+Stellited	A351 CF8M
2	Cover Bolt	A193 B7	A193 B8
3	Cover Nut	A194 2H	A194 8
4	Cover	A216 WCB	A351 CF8M
5	Body	A216 WCB	A351 CF8M
6	Gasket	SUS / PTFE	
7	Hinge Pin	A182 F6	A182 F316
8	Hinge	A216 WCB	A351 CF8M
9	Seat Ring	A105+Stellited	A182 F316
10	Cotter	A182 F6	A182 F316
11	Nut	A194 2H	A194 8
12	Bolt	A193 B7	A193 B8
13	Spring Ring	Carbon Steel	
14	Washer	Carbon Steel	
15	Hook	A216 WCB	A351 CF8M

MODEL: A600

Flanged Swing Check valve 150/300/600LBS



VOCESTER
USA



Dimensions : 150LBS

mm/kg

Size	L	D1	n-d	H	Wt
1 1/2"	165	98.5	4-15	150	11
2"	203	120.5	4-19	170	15
2-1/2"	216	139.5	4-19	180	26
3"	241	152.4	4-19	185	27
4"	292	190.5	8-19	215	42
5"	330	276.0	8-22	240	69
6"	356	241.5	8-22	260	75
8"	495	298.5	8-22	300	124
10"	622	362.0	12-25	350	200
12"	699	432.0	12-25	400	310
14"	787	476.0	12-29	450	428
16"	864	540.0	16-29	480	555
18"	978	578.0	16-32	540	775
20"	978	635.0	20-32	600	835
24"	1295	749.0	20-32	680	1300

Dimensions : 300LBS

mm/kg

Size	L	D1	n-d	H	Wt
2"	267	127	8-19	170	21
2-1/2"	292	149	8-22	185	30
3"	318	168.5	8-22	215	39
4"	356	200	8-22	235	70
5"	400	235	8-22	270	115
6"	445	270	12-22	300	125
8"	559	330	12-25	340	190
10"	622	387	16-29	350	290
12"	711	451	16-32	420	450
14"	838	514	20-32	480	700
16"	864	572	20-35	520	774
18"	978	628.6	24-35	600	1000
20"	1016	685.8	24-35	670	1273
24"	1346	813	24-41	750	1650

Dimensions : 600LBS

mm/kg

Size	L	D1	n-d	H	Wt
2"	292	127	8-19	175	28
2-1/2"	330	149	8-22	200	38
3"	356	168	8-22	230	52
4"	432	216	8-26	295	87
6"	559	292	12-29	360	224
8"	660	349	12-32	400	354
10"	787	432	16-35	460	626
12"	838	489	20-35	520	790
14"	889	527	20-38	560	892
16"	991	603	20-41	650	1200
18"	1002	654	20-44	730	1600
20"	1194	724	24-44	800	2420
24"	1397	838	24-51	900	3150