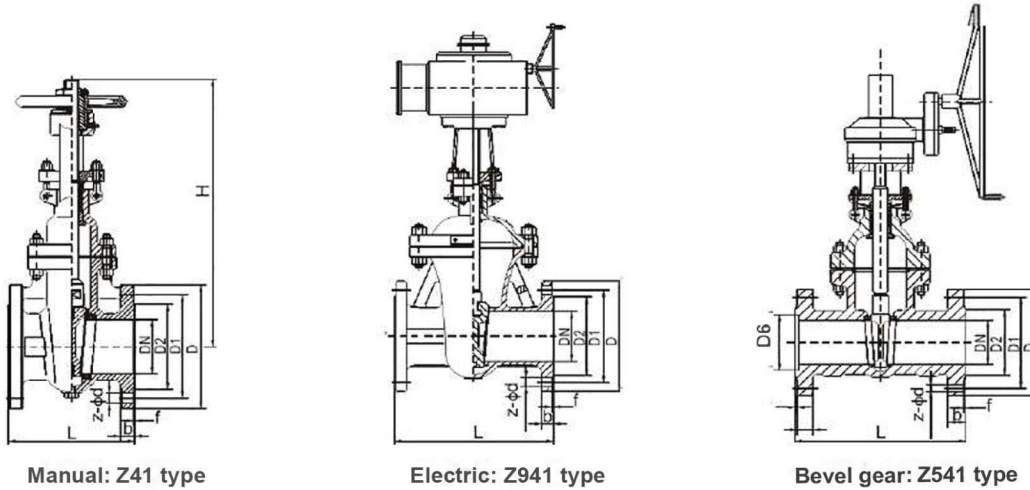




Gate Valve



Structure diagram



Model			Design standard
Z41H-150Lb	Z41W-150Lb	Z41Y-150Lb	Design and manufacturing specifications: API 600, API 6D, API 602
Z41H-300Lb	Z41W-300Lb	Z41Y-300Lb	Face to face dimension: ASME B16.10
Z41H-600Lb	Z41W-600Lb	Z41Y-600Lb	Flange connection size: ASME B16.5
			Test and inspection: API 6D, API 59

Structural features

1. Compact structure, beautiful appearance, full-diameter flow channel, small flow resistance coefficient.
2. The sealing surface is made of alloy steel or cemented carbide, and the sealing pair materials are matched reasonably and have a long service life.
3. The ram structure type is: elastic single ram or rigid root single ram. The surface of the valve stem is treated with nitriding, which has good corrosion resistance and numb resistance. The packing is made of flexible graphite, which can be sealed, operated flexibly, and has a small opening and closing moment.
4. Various piping flange standards and flange sealing surface types can be selected, and various driving methods such as manual, worm gear, electric, pneumatic, and hydraulic can also be selected to meet different needs of users.

Performance and specifications

Nominal Pressure Class	Test pressure(MPa)				Body Material	Medium	Temperature
	Strength test	Seal test	Upper seal	Hermetic test			
150	3.0	2.2	2.2	0.6	WCB (C)	Water, Steam oil	≤ 425°C
300	7.5	5.5	5.5	0.6	CF8 (P)	Nitric acids	≤ 200°C
600	15.0	11.0	11.0	0.6	CF3 (PL)	Nitric acids	≤ 200°C
					CF8M (R)	Acetic acids	≤ 200°C
					CF3M (RL)	Acetic acids	≤ 200°C
					WC6/WC5 (I)	Water, Steam oil	≤ 550°C

Material of main parts

NO.	Part Name	Cast steel	Stainless steel acid-resistant cast steel		Ultra-low carbon stainless steel acid-resistant cast steel		Alloy steel
		C	P	R	PL	RL	I
1	Valve body	WCB	CF8	CF8M	CF3	CF3M	WC6、C5
2	cap	WCB	CF8	CF8M	CF3	CF3M	WC6、C5
3	gate	WCB	CF8	CF8M	CF3	CF3M	WC6、C5
4	Stem	2Cr13	F304	F316	F304L	F316L	WC6
5	Sealing surface	2Cr13、STL	CF8	CF8M	CF3	CF3M	STL(Y)
6	Packing	Flexible graphite	PTFE(F4)or Flexible graphite		PTFE(F4)		Flexible graphite
7	Fastening bolt	A193-B7	A 193-B8M		A193-B8M		C5
8	Nut	A194-2H	A194-8		A194-8		C5
9	Operation hand wheel	WCC	WCC		WCC		WCC

Main external dimensions and connection dimensions

American Standard (ANSI): PN150Lb

Unit : mm

Size		L	D	D1	D2	b	f	z-φd	H(Fully open)
in	DN								
1/2"	15	108	89	60.5	35	12	1.6	4-15	151
3/4"	20	117	98	70	43	13	1.6	4-15	158
1"	25	127	108	79.5	51	14	1.6	4-15	185
1 1/4"	32	140	117	89	63	16	1.6	4-15	239
1 1/2"	40	165	127	98.5	73	18	1.6	4-15	243
2"	50	178	152.4	120.7	91.9	19.1	1.6	4-19	409
2 1/2"	65	190	177.8	139.7	104.6	22.4	1.6	4-19	480
3"	80	203	190.5	152.4	127	23.9	1.6	4-19	570
4"	100	229	228.6	190.5	157.2	23.9	1.6	8-19	590
5"	125	254	254	215.9	185.7	23.9	1.6	8-22	600
6"	150	267	279.4	241.3	215.9	25.4	1.6	8-22	630
8"	200	292	342.9	298.5	269.7	28.5	1.6	8-22	960
10"	250	330	406.4	362	323.9	30.3	1.6	12-25	1158
12"	300	356	482.6	431.8	381	31.8	1.6	12-25	1378
14"	350	381	533.4	476.3	412.8	35.1	1.6	12-28	1543
16"	400	406	596.9	539.8	469.9	36.6	1.6	16-28	1738
18"	450	432	635	577.9	533.4	39.7	1.6	16-32	1959
20"	500	457	698.5	653	584.2	43	1.6	20-32	2214
24"	600	508	812.8	749.8	692.2	47.8	1.6	20-35	2599

Ps: in<2" is forged steel flange gate valve

American standard (ANSI): PN300Lb

Unit : mm

Size		L	D	D1	D2	b	f	z-φd	H(Fully open)
in	DN								
1/2"	15	140	95	66.5	35	15	1.6	4-15	151
3/4"	20	152	117	82.5	43	16	1.6	4-19	158
1"	25	165	124	89	51	18	1.6	4-19	185
1 1/4"	32	178	133	98.5	64	19	1.6	4-19	239
1 1/2"	40	190	156	114.5	73	21	1.6	4-22	243
2"	50	216	165.1	127	91.9	22.4	1.6	8-19	424
2 1/2"	65	241	190.5	149.4	104.6	25.4	1.6	8-22	480
3"	80	283	209.6	168.1	127	28.5	1.6	8-22	535
4"	100	305	254	200.2	157.2	31.8	1.6	8-22	615
5"	125	381	279.4	235	185.7	35.1	1.6	8-22	700
6"	150	403	317.5	269.7	215.9	36.6	1.6	12-22	795
8"	200	419	381	330.2	269.7	41.2	1.6	12-25	1012
10"	250	457	444.5	387.4	323.9	47.8	1.6	16-28	1231
12"	300	502	520.7	450.9	381	50.8	1.6	16-32	1450
14"	350	762	584.2	514.4	412.8	53.9	1.6	20-32	1645
16"	400	838	647.7	571.5	469.9	57.2	1.6	20-35	1814
18"	450	914	711.2	628.7	533.4	60.5	1.6	24-35	1943
20"	500	991	774.7	685.8	584.2	63.5	1.6	24-35	2154
24"	600	1143	914.4	812.8	692.2	69.9	1.6	24-41	2553

Ps: in<2" is forged steel flange gate valve

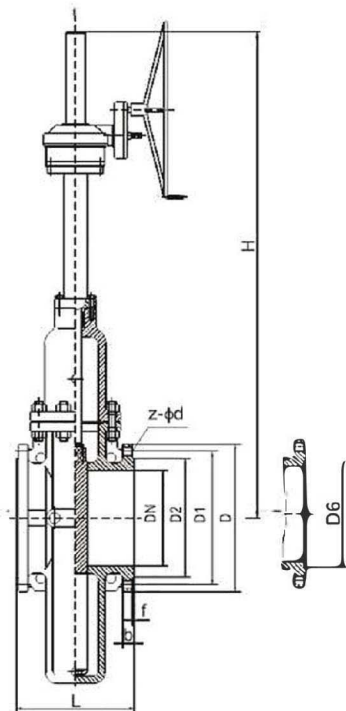
Main external dimensions and connection dimensions

American standard (ANSI): PN600Lb

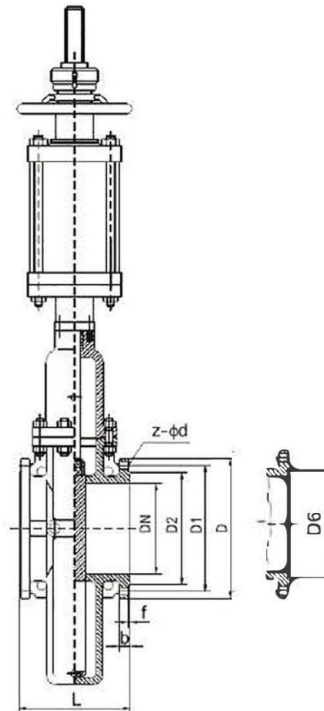
Unit : mm

Size		L	D	D1	D2	b	f	z-φd	H(Fully open)
in	DN								
1/2"	15	165	95	66.5	35	15	6.4	4-15	151
3/4"	20	190	117	82.5	43	16	6.4	4-19	158
1"	25	216	124	89	51	18	6.4	4-19	185
1 1/4"	32	229	133	98.5	64	21	6.4	4-19	239
1 1/2"	40	241	156	114.5	73	23	6.4	4-22	243
2"	50	292	165.1	127	91.9	26	6.4	8-19	458
2 1/2"	65	330	190.5	149.4	104.6	29	6.4	8-22	500
3"	80	356	209.6	168.1	127	32	6.4	8-22	570
4"	100	432	273	216	157.2	38	6.4	8-25	690
5"	125	508	330	266.5	185.7	45	6.4	8-29	780
6"	150	559	356	292	215.9	48	6.4	12-29	910
8"	200	600	419	349	269.7	56	6.4	12-32	1064
10"	250	787	508	432	323.9	64	6.4	16-35	1257
12"	300	838	559	489	381	67	6.4	20-35	1468
14"	350	889	603	527	412.8	70	6.4	20-38	1623
16"	400	991	686	603	469.9	77	6.4	20-41	1816
18"	450	1092	743	654	533.4	83	6.4	20-44	2100
20"	500	1194	813	724	584.2	89	6.4	24-44	2250
24"	600	1397	940	838	692.2	102	6.4	24-52	2730

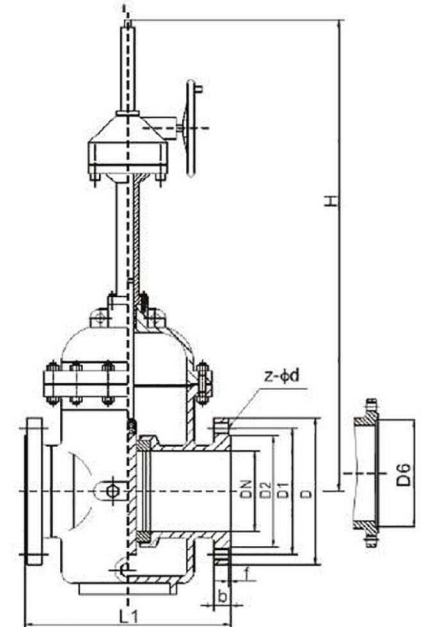
Ps: in<2'' is forged steel flange gate valve



Bevel Gear Flat Gate Valve Z543 type



Pneumatic Flat Gate Valve Z643



Flat Gate valve Z543

Model			
Z543H/Y-16C	Z543W-16P	Z543W-16R	Z543Y-16I
Z543H/Y-25	Z543W-25P	Z543W-25R	Z543Y-25I
Z543H/Y-40	Z543W-40P	Z543W-40R	Z543Y-40I
Z543H/Y-63	Z543W-63P	Z543W-63R	Z543Y-63I
Z543H/Y-100	Z543W-100P	Z543W-100R	Z543Y-100I

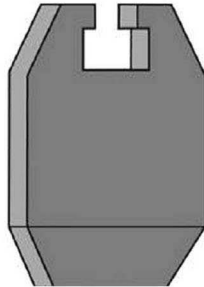
Structure Features

1. Compact structure, beautiful appearance, full diameter channel and small flow resistance coefficient.
2. The sealer adopts alloy steel or cemented carbide. The sealing material is matched reasonably and has long service life.
3. Ram structure type: flat plate type. The surface of the valve stem is nitrided and has good corrosion resistance and friction resistance. The packing is made of flexible graphite, with thin sealing, flexible operation and small opening and closing torque.
4. Various flange standards and flange sealing surface types can be selected, and various driving modes such as manual, worm gear drive, electric, pneumatic and hydraulic can be selected to meet different needs of users.

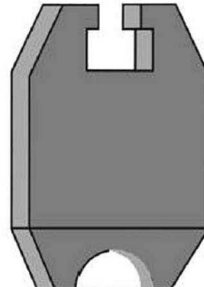
Performance and specification

Pressure (MPa)	Test pressure(MPa)				Body Material	Medium	Temperature
	Shell	Leakage	Upper seal	Air test			
1.6	2.4	1.76	1.76	0.6	WCB (C)	Water, Steam oil	-29 ~ 121°C
2.5	3.75	2.75	2.75	0.6	CF8 (P)	Nitric acids	
4.0	6.0	4.4	4.4	0.6	CF3 (PL)	Nitric acids	
6.3	9.45	6.93	6.93	0.6	CF8M (R)	Acetic acids	
10.0	15.0	11.0	11.0	0.6	CF3M (RL)	Acetic acids	
					WC6/WC5 (I)	Water, Steam oil	

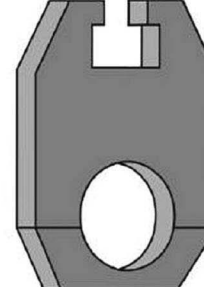
Outline Drawing Gate



Normal gate



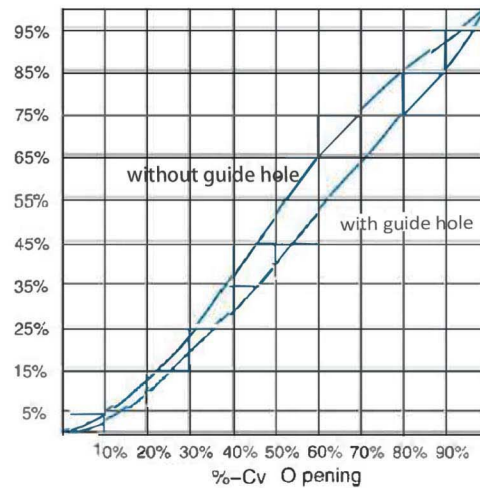
Regulatory type gate



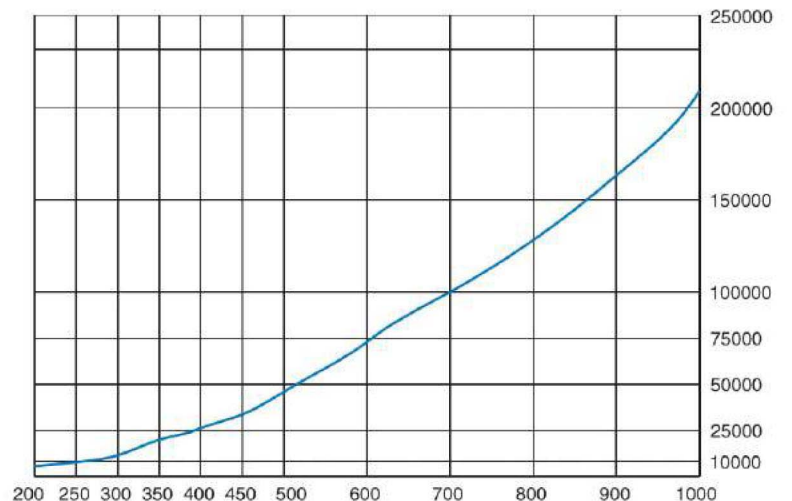
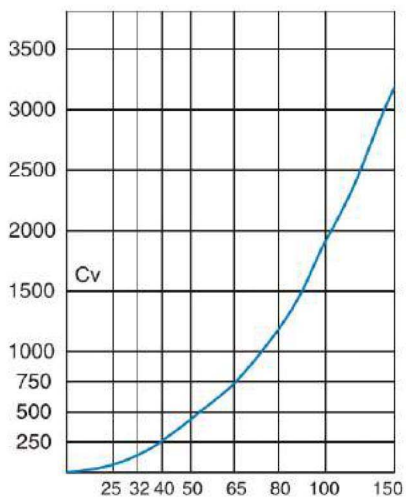
With guide hole gate

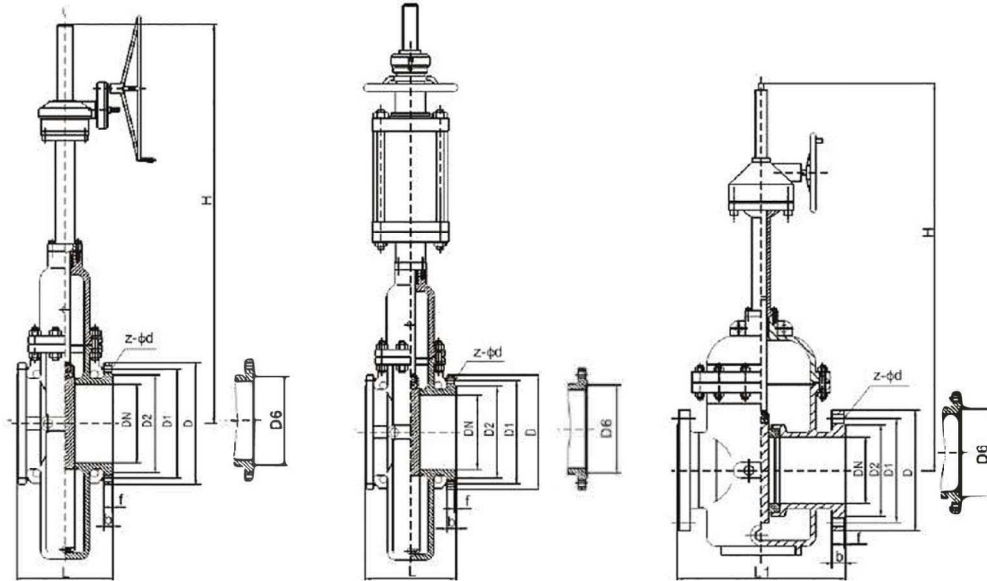
Analysis of flow characteristics

The flat valve with diversion hole is the same as the pipe of the same specification. It has the equal percentage characteristic. The flat valve without diversion hole has a smaller cavity span than the model valve. It belongs to regular cylinder. Therefore, the other characteristics are basically similar except that the pressure loss is larger than that with diversion hole. The regulating characteristics of the flat gate valve without diversion hole are better than that of the ordinary flat gate valve without diversion hole.



DN-CV curve circle of flat gate width with guide hole





Manual Flat Gate Valve Z543

Pneumatic Flat Gate Valve Z643

Manual Flat Gate Valve Z543

Part Material

	Name	Cast Steel	Stainless Steel		Ultra low carbon stainless steel		Alloy steel
		C	P	R	PL	RL	I
1	Body	WCB	CF8	CF8M	CF3	CF3M	ZGCr5Mo
2	Bonnet	WCB	CF8	CF8M	CF3	CF3M	ZGCr5Mo
3	Gate	WCB	CF8	CF8M	CF3	CF3M	ZGCr5Mo
4	Shaft	2Cr13	F304	F316	F304L	F316L	25Cr2MoV
5	Seal ring	2Cr13、STL	CF8	CF8M	CF3	CF3M	STL(Y)
6	Packing	Graphite	PTFE(F4)or graphite		PTFE(F4)or graphite		graphite
7	Bolt	A193-B7	A193-B8M		A193-B8M		35CrMoV
8	Nut	A194-2H	A194-8		A194-8		25Cr2MoV

Dimension and Connection Size

American standard : PN1 .6Mpa(16bar)

Unit : mm

DN(mm)	L	L1	D	D1	D2	b	f	z-φd	H
50	178	216	165	125	99	20	3	4-18	505
65	190	241	185	145	118	22	3	8-18	560
80	203	283	200	160	132	24	3	8-18	610
100	229	305	220	180	156	22	3	8-18	770
125	254	381	250	210	184	22	3	8-18	870
150	267	403	285	240	211	24	3	8-22	965
200	292	419	340	295	266	24	3	12-22	1200
250	330	457	405	355	319	26	3	12-26	1380
300	356	502	460	410	370	26	4	12-26	1560
350	381	572	520	470	429	30	4	16-26	1740
400	406	610	580	525	480	32	4	16-30	1930
450	432	660	640	585	548	40	4	20-30	2180
500	457	711	715	650	609	44	4	20-33	2420
600	508	813	840	770	720	44	5	20-36	2800
700	610	914	910	840	794	40	5	24-36	3200
800	660	965	1025	950	901	42	5	24-39	3640

Dimension and Connection Size

American standard : PN2.5Mpa(25bar)

Unit : mm

DN(mm)	L	L1	D	D1	D2	b	f	z-φd	H
50	178	216	165	125	99	20	3	4-18	505
65	190	241	185	145	118	22	3	8-18	560
80	203	283	200	160	132	24	3	8-18	610
100	229	305	235	190	156	24	3	8-22	770
125	254	381	270	220	184	26	3	8-26	870
150	267	403	300	250	211	28	3	8-26	965
200	292	419	360	310	274	30	3	12-26	1200
250	330	457	425	370	330	32	3	12-30	1360
300	356	502	485	430	389	34	4	16-30	1560
350	381	572	555	490	448	38	4	16-33	1740
400	406	610	620	550	503	4 ⁰	4	16-36	1930
450	432	660	670	600	548	46	4	20-36	2160
500	457	711	730	660	609	48	4	20-36	2420
600	508	813	845	770	720	48	5	20-39	2800
700	610	914	960	875	820	50	5	24-42	3200
800	660	965	1085	990	928	54	5	24-48	3640

American standard : PN4.0Mpa(40bar)

Unit : mm

DN(mm)	L / L1	D	D1	D2	D6	b	f	z-φd	H
50	216	165	125	99	88	20	3	4-18	505
65	241	185	145	118	110	22	3	8-18	560
80	283	200	160	132	121	24	3	8-18	610
100	305	235	190	156	150	24	3	8-22	770
125	381	270	220	184	176	26	3	8-26	870
150	403	300	250	211	204	28	3	8-26	965
200	419	375	320	284	260	34	3	12-30	1200
250	457	450	385	345	313	38	3	12-33	1360
300	502	515	450	409	364	42	4	16-33	1560
350	762	580	510	465	422	46	4	16-36	1740
400	838	660	585	535	474	50	4	16-39	1930
450	914	685	610	560	524	57	4	20-39	2160
500	991	755	670	615	576	57	4	20-42	2420
600	1143	890	795	735	676	72	5	20-48	2800
700	1346	995	900	835	778	68	5	24-54	3200
800	1524	1135	1030	960	883	76	5	24-58	3640

Dimension and connection size

American standard : PN6.3Mpa(63bar)

Unit : mm

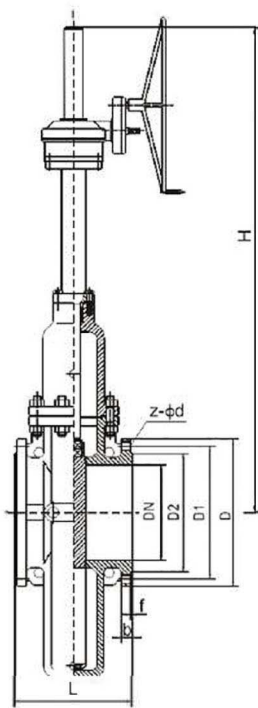
DN(mm)	L	L1	D	D1	D2	D6	b	f	z-φd	H
50	250	292	180	135	99	88	26	3	4-22	505
65	280	330	205	160	118	110	26	3	8-22	560
80	310	356	215	170	132	121	28	3	8-22	610
100	350	432	250	200	156	150	30	3	8-26	770
125	400	508	295	240	184	176	34	3	8-30	870
150	450	559	345	280	211	204	36	3	8-33	970
200	550	660	415	345	284	260	42	3	12-36	1200
250	650	787	470	400	345	313	46	3	12-36	1370
300	750	838	530	460	409	364	52	4	16-36	1560
350	850	889	600	525	465	422	56	4	16-39	1740
400	950	991	670	585	535	474	60	4	16-42	1970
450	1050	1092	715	630	570	524	70	4	20-48	2260
500	1150	1194	800	705	640	576	76	4	20-54	2420
600	1350	1397	930	820	750	676	80	5	20-58	2800
700	1450	1549	1045	935	865	778	84	5	24-58	3230
800	1650	1778	1165	1050	980	876	90	5	24-62	4950

American standard : PN10.0Mpa(100bar)

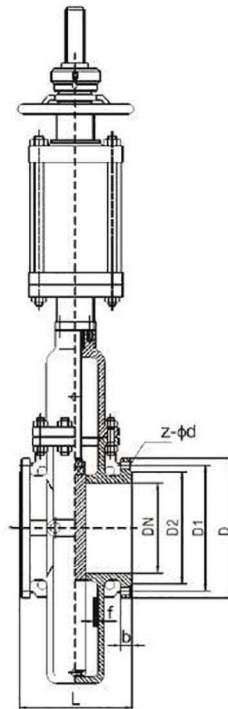
Unit : mm

DN(mm)	L	L1	D	D1	D2	D6	b	f	z-φd	H
50	250	292	195	145	99	88	28	3	4-26	505
65	280	330	220	170	118	110	30	3	8-26	560
80	310	356	230	180	132	121	32	3	8-26	610
100	350	432	265	210	156	150	36	3	8-30	770
125	400	508	315	250	184	176	40	3	8-33	870
150	450	559	355	290	211	204	44	3	12-33	970
200	550	660	430	360	284	260	52	3	12-36	1200
250	650	787	505	430	345	313	60	3	12-39	1370
300	750	838	585	500	409	364	68	4	16-42	1560
350	850	889	655	560	465	422	74	4	16-48	1740
400	950	991	715	620	535	474	82	4	16-48	1970
450	1050	1092	770	675	615	524	84	4	16-58	2200
500	1150	1194	870	760	690	576	90	4	20-58	2420
600	1350	1397	990	875	800	678	95	5	24-58	/

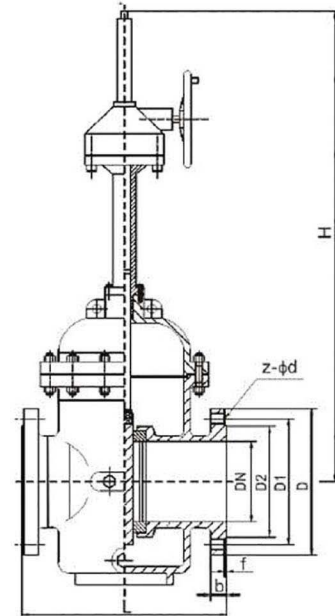
Structure



Manual Flat Gate Valve Z543



Pneumatic Flat Gate Valve Z643



Manual Flat Gate Valve Z543

Model		
Z543H-150Lb	Z543W-150Lb	Z543Y-150Lb
Z543H-300Lb	Z543W-300Lb	Z543Y-300Lb
Z543H-600Lb	Z543W-600Lb	Z543Y-600Lb

Design standard
Design and manufacturing specifications: API 6D
Face to face dimension: API 6D
Flange connection size: ASME B16.5
Test and inspection: API 6D

Structure Features

1. Compact structure, beautiful appearance, full diameter flow channel and small flow resistance.
2. The sealing surface is made of alloy steel or cemented carbide, the sealing material is reasonable, and the service life is long.
3. Ram structure type: flat plate type. After nitriding treatment, the surface of Que rod has good corrosion resistance and friction resistance. The packing adopts flexible graphite, with reliable sealing, flexible operation and short opening and closing force.
4. Various flange standards and flange sealing surface types can be selected, and various driving modes such as manual, worm gear drive, electric, pneumatic and hydraulic can be selected to meet different needs of users.

Performance and Specification

Nominal Pressure	Test pressure(MPa)				
	Class	Shell	Leakage	Upper seal	Air test
150	3.0	2.2	2.2	2.2	0.6
300	7.5	5.5	5.5	5.5	0.6
600	15.0	11.0	11.0	11.0	0.6

Body Material	Medium	Temperature
WCB (C)	Water, Steam oil	-29 ~ 121 °C
CF8 (P)	Nitric acids	
CF3 (PL)	Nitric acids	
CF8M (R)	Acetic acids	
CF3M (RL)	Acetic acids	
WC6/WC5 (I)	Water, Steam oil	

Part Material

NO	Name	Cast Steel	Stainless Steel		Steel		Alloy steel
		C	P	R	PL	RL	I
1	Body	WCB	CF8	CF8M	CF3	CF3M	ZGCr5Mo
2	Bonnet	WCB	CF8	CF8M	CF3	CF3M	ZGCr5Mo
3	Gate	WCB	CF8	CF8M	CF3	CF3M	ZGCr5Mo
4	Shaft	2Cr13	F304	F316	F304L	F316L	25Cr2MoV
5	Sealing	2Cr13, STL	CF8	CF8M	CF3	CF3M	STL(Y)
6	Packing	Graphite	PTFE(F4) or Graphite		PTFE(F4) or Graphite		Graphite
7	Bolt	A193-B7	A193-B8M		A193-B8M		35CrMoV
8	Nut	A194-2H	A194-8		A194-8		25Cr2MoV

Dimension and Connection Size

American standard (ANSI): 150Lb

Unit : mm

DN(mm)											
in	DN	L	L1	D	D1	D2	b	f	z-φd	H	
2"	50	178	216	152.4	120.7	91.9	19.1	1.6	4-19	505	
2 1/2"	65	190	241	177.8	139.7	104.6	22.4	1.6	4-19	560	
3"	80	203	283	190.5	152.4	127	23.9	1.6	4-19	610	
4"	100	229	305	228.6	190.5	157.2	23.9	1.6	8-19	770	
6"	150	267	403	279.4	241.3	215.9	25.4	1.6	8-22	970	
8"	200	292	419	342.9	298.5	269.7	28.5	1.6	8-22	1200	
10"	250	330	457	406.4	362	323.9	30.3	1.6	12-25	1370	
12"	300	356	502	482.6	431.8	381	31.8	1.6	12-25	1560	
14"	350	381	572	533.4	476.3	412.8	35.1	1.6	12-28	1740	
16"	400	406	610	596.9	539.8	469.9	36.6	1.6	16-28	1970	
18"	450	432	660	635	577.9	533.4	39.7	1.6	16-32	2260	
20"	500	457	711	698.5	653	584.2	43	1.6	20-32	2420	
24"	600	508	813	812.8	749.8	692.2	47.8	1.6	20-35	2800	
28"	700	610	914	927.1	863.6	800.1	71.4	1.6	28-35	3230	
32"	800	660	965	1060.5	977.9	914.4	80.8	1.6	28-41	3750	

American standard (ANSI): 300Lb

Unit : mm

DN(mm)		L / L1	D	D1	D2	b	f	z-φd	H
in	DN								
2"	50	216	165.1	127	91.9	22.4	1.6	8-19	505
2 1/2"	65	241	190.5	149.4	104.6	25.4	1.6	8-22	560
3"	80	283	209.6	168.1	127	28.5	1.6	8-22	610
4"	100	305	254	200.2	157.2	31.8	1.6	8-22	770
6"	150	403	317.5	269.7	215.9	36.6	1.6	12-22	970
8"	200	419	381	330.2	269.7	41.2	1.6	12-25	1200
10"	250	457	444.5	387.4	323.9	47.8	1.6	16-28	1370
12"	300	502	520.7	450.9	381	50.8	1.6	16-32	1560
14"	350	762	584.2	514.4	412.8	53.9	1.6	20-32	1740
16"	400	838	647.7	571.5	469.9	57.2	1.6	20-35	1970
18"	450	914	711.2	628.7	533.4	60.5	1.6	24-35	2260
20"	500	991	774.7	685.8	584.2	63.5	1.6	24-35	2420
24"	600	1143	914.4	812.8	692.2	69.9	1.6	24-41	2800

American standard (ANSI): 600Lb

Unit : mm

DN(mm)		L	L1	D	D1	D2	b	f	z-φd	H
in	DN									
2"	50	250	292	165.1	127	91.9	26	6.4	8-19	505
2 1/2"	65	280	330	190.5	149.4	104.6	29	6.4	8-22	560
3"	80	310	356	209.6	168.1	127	32	6.4	8-22	610
4"	100	350	432	273	216	157.2	38	6.4	8-25	770
6"	150	450	559	356	292	215.9	48	6.4	12-29	970
8"	200	550	660	419	349	269.7	56	6.4	12-32	1200
10"	250	650	787	508	432	323.9	64	6.4	16-35	1370
12"	300	750	838	559	489	381	67	6.4	20-35	1560
14"	350	850	889	603	527	412.8	70	6.4	20-38	1740
16"	400	950	991	686	603	469.9	77	6.4	20-41	1970
18"	450	1050	1092	743	654	533.4	83	6.4	20-44	2260
20"	500	1150	1194	813	724	584.2	89	6.4	24-44	2420
24"	600	1350	1397	940	838	692.2	102	6.4	24-52	3010

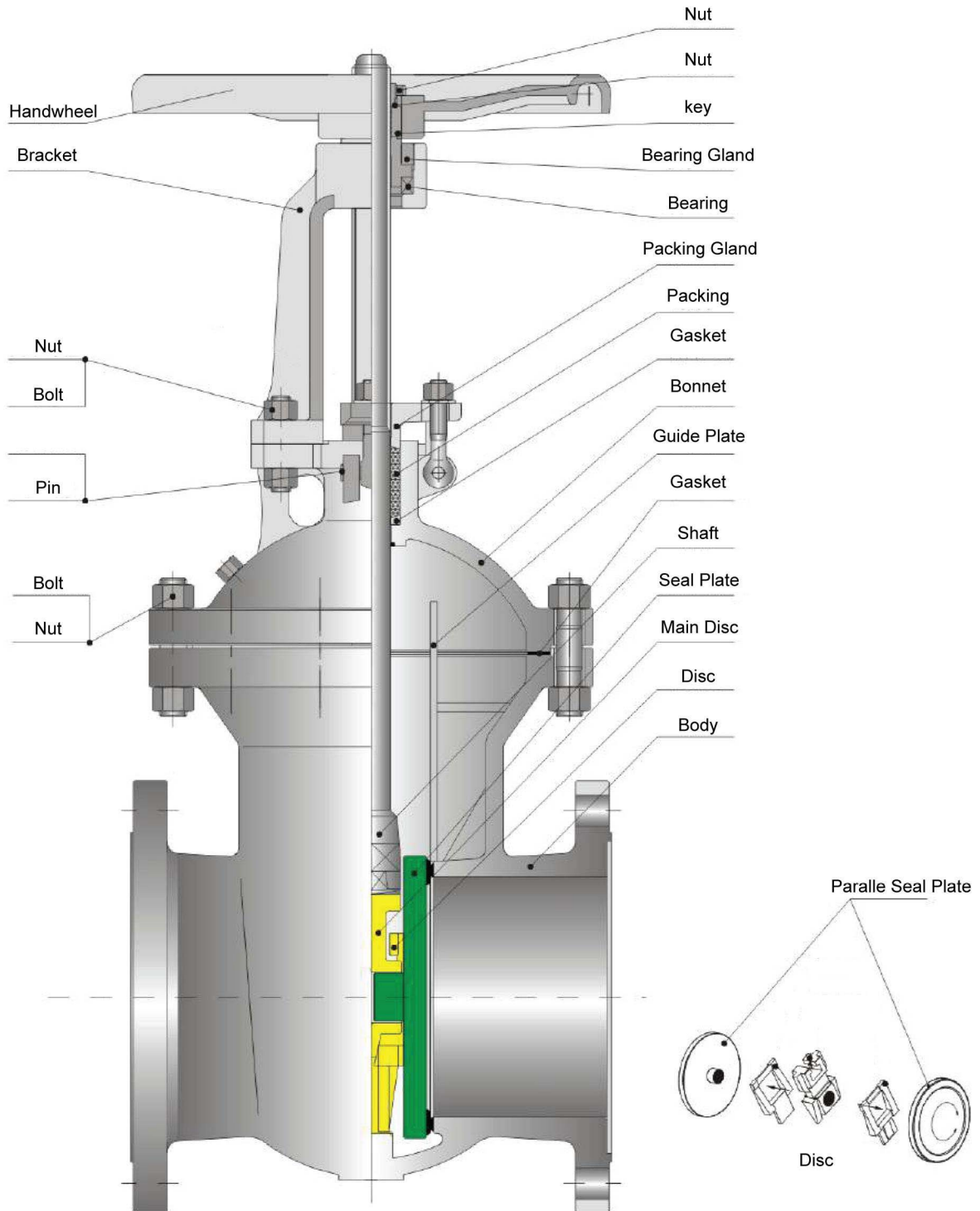
Structure characteristics and working principle

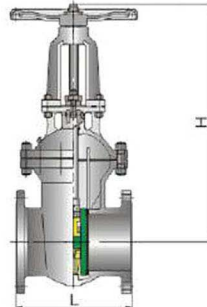
When the output force of the actuator acts on the main valve core through the valve stem, it is designed with a certain angle. The main valve core is converted into the force in the horizontal direction, and then the two valve seats are pressed tightly through the secondary valve core and the sealing disc to form a double blocking seal, with no leakage and small torque. There is no friction on the sealing joint surface of the switch valve, which fundamentally solves the problem that the valve core is stuck or cannot be opened in the valve body.

Z		4	4			
ZG1Cr	Actuator	Connection	Structure	Seal	Rating Pressure	Body material
Gate valve	bevel gear; 9-electric	Flange	Paralleouble gate	H-alloy steel F-soft seat Y-hard metal	1.6MPa 150Lb 2.5MPa 300Lb 4.0MPa 600Lb 6.4MPa 900Lb 10.0MPa 1500Lb	WCB(C) CF8(P) CF8M(R) WC6(I)
Z	S	D	C			
Actuator Category	Type	Operation	Type			
Pneumatic	Piston	top handwheel.DI; middle handwheel-DII; spring returnDII	Cut off			

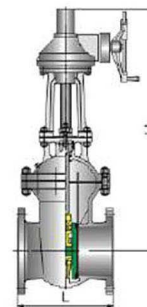
DN(mm/in)	40 ~ 800/1 1/2 ~ 32										
Material	Body, Bonnet	WCB	ZG1Cr5Mo	ZG1Cr18Ni9Ti	CF8	CF3	ZG1Cr18Ni12Mo2Ti	CF8M	CF3M		
	Shaft	2Cr13		1Cr18Ni9Ti	304	304L	17-4PH	316	316L		
	Gate	2Cr13		ZG1Cr18Ni9Ti	CF8	CF3	ZG1Cr18Ni12Mo2Ti	CF8M	CF3M		
	Seal	WCB	ZG1Cr5Mo	1Cr18Ni9Ti	CF8	CF3	ZG1Cr18Ni12Mo2Ti	CF8M	CF3M		
	Seat	PPL、D802、D507Mo									
	Packing	Graphite/PTFE									
	Nut	ZCuZn38Mn2Pb2 ASTM A439 D2									
Medium	Oil		Natural Gas	Steam			Hot oil	nitric acid	urea		
Temp/°C	-29 ~ 425	-40 ~ 550	-196 ~ 600								
Actuator	Pneumatic, Bevel gear, Electric										
Electric cut off time	DN40~DN100(mm) ≤12(S)		DN125~DN200(mm) ≤26(S)		DN250~DN350(mm) ≤35(S)		DN400~DN500(mm) ≤47(S)		DN600~DN800(mm) ≤55(S)		
Pneumatic cut off time	DN50~DN100(mm) ≤4(S)		DN125~DN200(mm) ≤7(S)		DN250~DN350(mm) ≤15(S)		DN400~DN500(mm) ≤21(S)		DN600~DN700(mm) ≤30(S)		
Tank	Air source failure , Emergency use, The valve can still be controlled on / off										
Cylinder	Cylinder type	Single or Double acting									
	Medium	Purified compressed air									
	Temp	(5~55°C)									
	Air supply(MPa)	0.25~0.7									
Valve control type	Single electric control / Double electric control (single electric control must indicate whether the valve is on or off)										
Valve control principle	Appendix 2										
Executive standard	Table 2										

Dimension



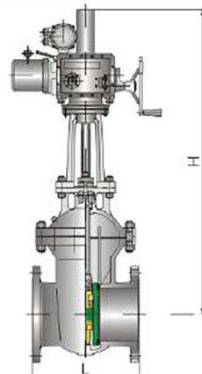


Z44(DX) Manual

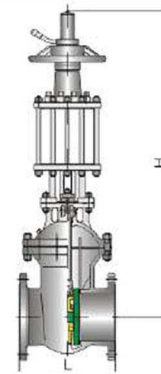


Z544(DX) Bevel Gear

(DN/mm)		40	50	65	80	100	125	150	200	250	300	350	400	450	500	600	700
L/mm	1.6,2.5MPa	240	250	270	280	300	325	350	400	450	500	550	600	650	700	800	900
	4.0,6.4,10.0MPa	240	250	280	310	350	400	450	550	650	750	850	950	1050	1150	1350	1450
H /mm	1.6,2.5MPa	312	340	389	433	482	580	628	724	942	1094	1205	1377	1523	1638	-	-
	4.0MPa	312	340	389	433	552	580	708	804	1013	1094	1205	1377	1523	1638	-	-
	6.4MPa	312	340	389	433	552	580	708	804	1013	1094	1205	1377	1523	1638	-	-
	10.0MPa	332	360	430	485	573	649	735	903	1013	1099	1282	1455	-	-	-	-
H /mm	1.6,2.5MPa	-	-	-	-	-	-	1085	1144	1485	1605	1845	2032	2453	2628	2967	-
	4.0MPa	-	-	-	-	-	-	1085	1144	1485	1605	1845	2032	2453	2628	2967	-
	6.4MPa	-	-	-	-	-	-	1135	1228	1518	1775	1956	2152	2597	2782	3211	-
	10.0MPa	-	-	-	-	-	-	1135	1228	1518	1775	1956	2152	2597	2782	3211	-
Remark	The structural length standard of class B is ASME b1610-2000, and the valve height is similar to the corresponding nominal pressure height																

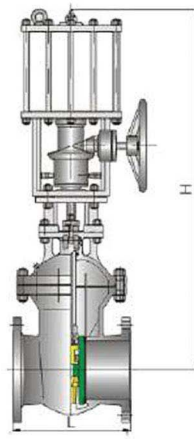


Z944(DX) Electric

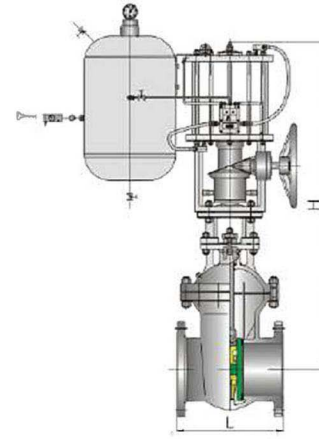


ZSDnC(DX) Pneumatic

(DN/mm)		40	50	65	80	100	125	150	200	250	300	350	400	450	500	600	700
L/mm																	
H/mm	1.6,2.5MPa	345	375	420	463	512	620	668	744	982	1134	1245	1440	1585	1695	1965	2305
	4.0MPa	345	375	420	463	592	660	768	844	1043	1134	1245	1440	1585	1695	1965	2305
	6.4MPa	345	375	420	463	592	660	768	844	1043	1134	1245	1440	1585	1695	1965	-
	10.0MPa	378	398	460	512	592	705	910	951	1090	1195	1310	1510	1585	1695	1965	-
H/mm	1.6,2.5MPa	775	805	870	938	1002	△	△	△	△	△	△	△	△	△	△	△
	4.0MPa	784	814	870	938	1030	△	△	△	△	△	△	△	△	△	△	-
	6.4MPa	784	814	870	988	1030	△	△	△	△	△	△	△	△	△	△	-
	10.0MPa	828	838	870	988	1060	△	△	△	△	△	△	△	△	△	△	-
/N.m	1.6,2.5MPa	16	18	37	46	55	64	72	132	194	266	372	528	672	840	1212	1872
	4.0MPa	20	22	46	65	88	98	108	170	269	337	532	678	912	1140	1812	2760
	6.4MPa	27	29	61	79	108	148	187	274	442	660	756	1044	1176	1450	2850	-
	10.0MPa	28	30	67	90	130	705	282	345	567	980	1118	1618	2160	2810	3460	-

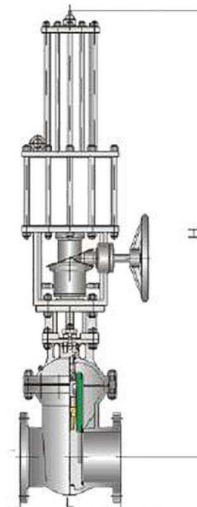


ZSD II C(DX)

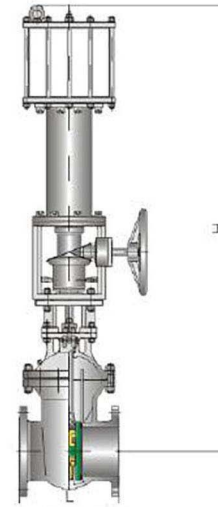


ZSD I C(DX)

(DN/mm) L/mm		40	50	65	80	100	125	150	200	250	300	350	400	450	500	600	700
H/mm	1.6,2.5MPa	△	△	△	△	865	965	1065	1345	1550	1810	2010	2295	2510	2700	3240	3655
	4.0MPa	△	△	△	△	892	995	1146	1417	1642	1896	2090	2312	2594	2804	3278	-
	6.4MPa	△	△	△	△	892	995	1146	1417	1642	1896	2090	2312	2594	2804	3278	-
	10.0MPa	△	△	△	△	895	906	1010	1162	1432	1658	1912	2105	2328	2610	2820	3295

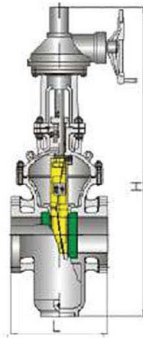


ZSD I C(DX) (FC)

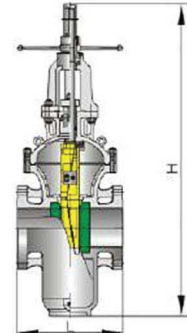


ZSD I C(FO)

(DN/mm)		40	50	65	80	100	125	150	200	250	300	350	400	450	500	600	700
L/mm																	
H/mm	1.6,2.5MPa	△	△	△	△	1395	1535	1675	1965	2396	2752	-	-	-	-	-	-
	4.0MPa	△	△	△	△	1395	1535	1675	1965	2396	2752	-	-	-	-	-	-
	6.4MPa	△	△	△	△	1250	1544	1684	2092	2525	2880	-	-	-	-	-	-
	10.0MPa	△	△	△	△	1565	1725	1885	2290	2800	3078	-	-	-	-	-	-
H/mm	1.6,2.5MPa	△	△	△	△	1325	1455	1584	1989	2239	2595	-	-	-	-	-	-
	4.0MPa	△	△	△	△	1325	1455	1584	1989	2239	2595	-	-	-	-	-	-
	6.4MPa	△	△	△	△	1250	1544	1684	2092	2525	2880	-	-	-	-	-	-
	10.0MPa	△	△	△	△	1565	1725	1885	2290	2800	3078	-	-	-	-	-	-
Remark	Alt is suitable for top mounted type. If customers need intermediate handwheel or no handwheel, it must be noted when ordering. Large diameter single acting energy storage tank is used																

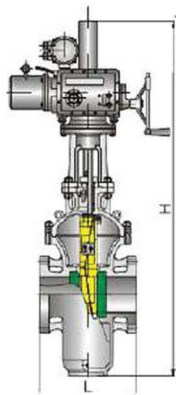


NMZ544d with bevel gear

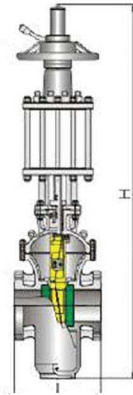


NMZ44d with handwheel

(DN/mm)		40	50	65	80	100	125	150	200	250	300	350	400	450	500	600	700
L/mm	1.6,2.5MPa	240	250	270	280	300	325	350	400	450	500	550	600	650	700	800	900
	4.0,6.4,10.0MPa	240	250	280	310	350	400	450	550	650	750	850	950	1050	1150	1350	1450
H/mm	1.6,2.5MPa	432	470	534	593	662	785	868	1014	1282	1499	1660	1882	-	-	-	-
	4.0MPa	432	470	534	593	732	785	948	1094	1353	1499	1660	-	-	-	-	-
	6.4MPa	432	470	534	593	732	785	948	1094	1353	-	-	-	-	-	-	-
	10.0MPa	452	490	575	645	753	854	975	1193	1456	-	-	-	-	-	-	-
H/mm	1.6,2.5MPa	-	-	-	-	-	-	1325	1434	1825	2010	2300	2537	3025	3250	3689	-
	4.0MPa	-	-	-	-	-	-	1325	1434	1825	2010	2300	2537	3025	3250	3689	-
	6.4MPa	-	-	-	-	-	-	1375	1518	1858	2180	2411	2657	3169	3404	3933	-
	10.0MPa	-	-	-	-	-	-	1375	1518	1858	2180	2411	2657	3169	3404	3933	-
Remark																	

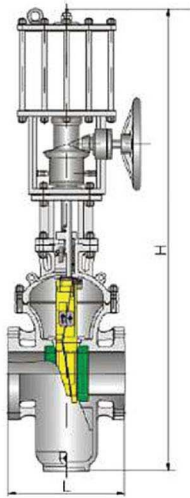


NMZ9,44d electric

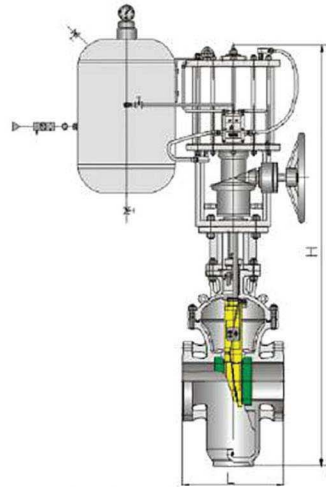


NMZ6,44d(pneumatic)

(DN/mm)		40	50	65	80	100	125	150	200	250	300	350	400	450	500	600	700
L/mm	1.6,2.5MPa	465	505	565	623	692	825	908	1034	1322	1539	1700	1945	2157	2317	2687	3127
	4.0MPa	465	505	565	623	772	865	1008	1134	1383	1539	1700	1945	-	-	-	-
H/mm	6.4MPa	498	528	605	672	772	910	1150	1241	1430	1600	1765	2015	-	-	-	-
	10.0MPa	498	528	605	672	772	910	1150	1241	1430	1600	1765	2015	-	-	-	-
	1.6,2.5MPa	875	935	1015	1098	1182	△	△	△	△	△	△	△	△	△	△	△
H/mm	4.0MPa	1024	1074	1160	1258	1210	△	△	△	△	△	△	△	△	△	△	△
	6.4MPa	1024	1074	1160	1258	1210	△	△	△	△	△	△	△	△	△	△	△
	10.0MPa	1068	1098	1160	1308	1240	△	△	△	△	△	△	△	△	△	△	△
/N.m	1.6,2.5MPa	18	37	46	55	64	72	132	194	266	372	528	672	840	1212	1872	2060
	4.0MPa	22	46	65	88	98	108	170	269	337	532	678	912	1140	1812	2760	3036
	6.4MPa	29	61	79	108	148	187	274	442	660	756	1044	1176	1450	2850	-	-
	10.0MPa	30	67	90	130	705	282	345	567	980	1118	1618	2160	2810	3460	-	-

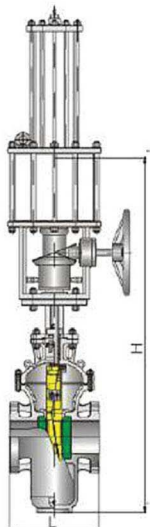


Pneumatic wear resistant guide cut off gate valve (handwheel intermediate type)

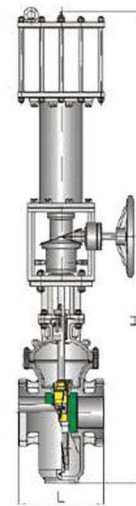


Pneumatic wear resistant diversion cut off gate valve (hand wheel intermediate type with energy storage tank)

(DN/mm)	40	50	65	80	100	125	150	200	250	300	350	400	450	500	600	700	
L/mm																	
H/mm	1.6,2.5MPa	△	△	△	△	1045	1170	1305	1635	1890	2215	2465	2800	3082	3305	3962	4477
	4.0MPa	△	△	△	△	1072	1200	1386	1707	1982	2301	2530	2817	3166	3426	4000	-
	6.4MPa	△	△	△	△	1072	1200	1386	1707	1982	2301	2530	2817	3166	3426	4000	-
	10.0MPa	△	△	△	△	1215	1226	1420	1657	2012	2338	2722	3015	3338	3754	4064	4087
Remark	△ Suitable for top mounted																



Pneumatic wear resistant diversion cut-off gate valve (spring return electric open FC)



Pneumatic wear resistant diversion cut-off gate valve (spring return electric close type FO)

(DN/mm)	40	50	65	80	100	125	150	200	250	300	350	400	450	500	600	700
L/mm																
H/mm	1.6,2.5MPa	△	△	△	△	1575	1740	1915	2255	2736	3157	-	-	-	-	-
	4.0MPa	△	△	△	△	1575	1740	1915	2255	2736	3157	-	-	-	-	-
	6.4MPa	△	△	△	△	1430	1749	1924	2382	2865	3285	-	-	-	-	-
	10.0MPa	△	△	△	△	1745	1930	2125	2580	3155	3483	-	-	-	-	-
H/mm	1.6,2.5MPa	△	△	△	△	1505	1580	1924	2279	2594	3000	-	-	-	-	-
	4.0MPa	△	△	△	△	1505	1580	1924	2279	2594	3000	-	-	-	-	-
	6.4MPa	△	△	△	△	1430	1749	1924	2382	2865	3285	-	-	-	-	-
	10.0MPa	△	△	△	△	1745	1930	2125	2580	3155	3483	-	-	-	-	-
Remark	△ Suitable for top mounted															



A PART OF
USA
CLINTON
TEXON
CLINTON TEXON GROUP, USA

Clinton Texon Group LLC
108 West 13th Street Wilmington, DW 19801
United States
www.vocester-usa.com