



Plug Valve Series



SLEEVE TYPE SOFT SEALING PLUG VALVE ACC. TO DIN

PRODUCT STRUCTURAL FEATURES

Sleeve type soft sealing plug valve acc. to DIN is applicable to the cutting and connection of pipelines medium that are used in various Industries such as petroleum, chemical industry, pharmacy, chemical fertilizer, power industry etc under nominal pressure of PN1.6~16MPa and working temperature of -29°C ~ 180°C.

MAIN STRUCTURAL FEATURES

- 1、 The product has reasonable structure, reliable sealing, excellent performance and beautiful appearance.
- 2、 Its sealing is realized by the sealing face around the sleeve. It has unique 360 degree metal edge for protection and fixing of the Sleeve.
- 3、 There is no cavity in the valve for accumulation of medium.
- 4、 Metal edge provides the function of self-cleaning when the plug is rotated, applicable to the operation condition that is glutinous and apt to smudge.
- 5、 Its characteristic double-direction flow makes installation and use more Convenient.
- 6、 The materials of the parts and sizes of flanges can be reasonably configured according the actual operation condition of the requirements of the customers, so as to meet the various needs of engineering.

TECHNICAL SPECIFICATION

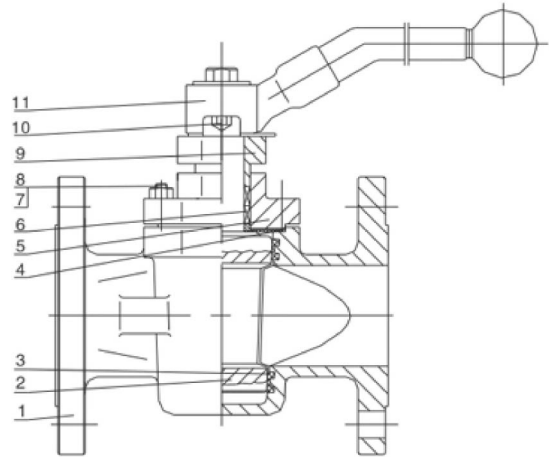
Structural formation	BC
Driving manner	Wrench wheel, worm & worm gear、 pneumatic, electric-actuated
Design standard	API 599、 API 6D
Face to face	EN 558 F1/F4/F5
Flange ends	EN1092
Test & inspection	DIN 3230

Note: the size of serial valve connecting flange can be designed according to customers' requirement.

PRODUCTS PERFORMANCE SPECIFICATION

(MPa) Nominal pressure	(MPa) Shell test	(MPa) Sealing test	(°C) Suitable temp.	Suitable medium
1.6	2.4	1.76	≤ 120°C/200°C	Water oil & gas
2.5	3.75	2.75		
4.0	6.0	4.4		
6.4	9.6	7.04		
10.0	15.0	11.0		
16.0	24.0	17.6		

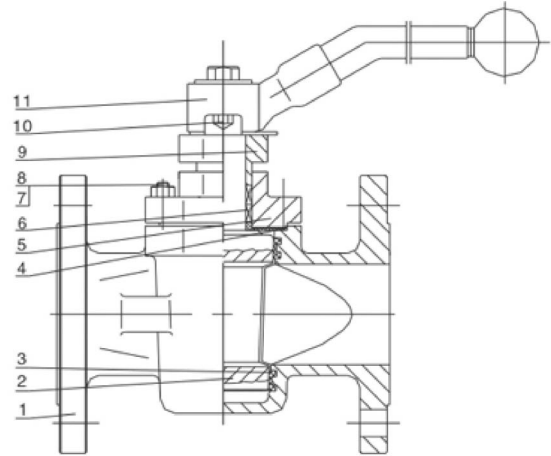
SLEEVE TYPE SOFT SEALING PLUG VALVE ACC. TO ANSI



MAIN PARTS MATERIALS

NO.	Part name	Material
1	Body	ASTM A216-WCB
2	Plug	ASTM A351-CF8
3	Sleeve (Seat)	PTFE
4	Gasket	PTFE
5	Cover	ASTM A216-WCB
6	Packing	PTFE
7	Bolt	ASTM A193-B7
8	Nut	ASTM A194-2H
9	Gland	ASTM A216-WCB
10	Adjusting gasket	ASTM A193-B7
11	Wrench	ASTM A216-WCB

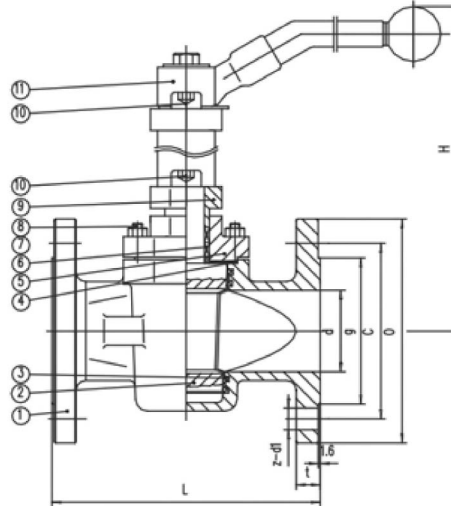
SLEEVE TYPE SOFT SEALING PLUG VALVE ACC. TO ANSI



MAIN PARTS MATERIALS

NO.	Part name	Material
1	Body	ASTM A352-LCB
2	Plug	ASTM A351-CF8M
3	Sleeve (Seat)	PTFE
4	Gasket	PTFE
5	Cover	ASTM A352-LCB
6	Packing	PTFE
7	Bolt	ASTM A320-L7
8	Nut	ASTM A194-4
9	Gland	ASTM A352-LCB
10	Adjusting gasket	ASTM A320-L7
11	Wrench	ASTM A216-WCB

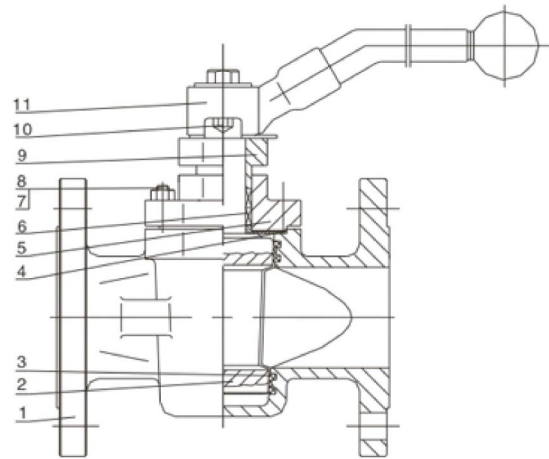
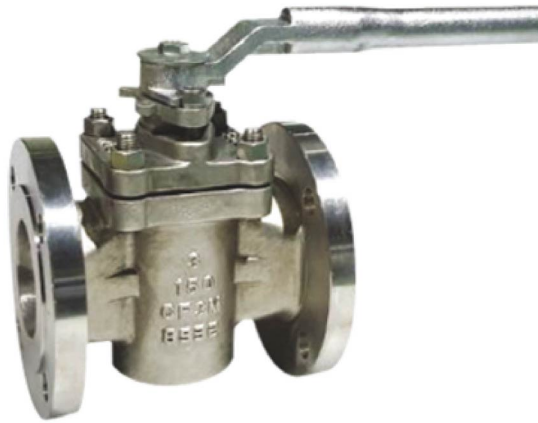
SLEEVE TYPE SOFT SEALING PLUG VALVE ACC. TO ANSI



MAIN PARTS MATERIALS

NO.	Part name	Material
1	Body	ASTM A216-WCB
2	Plug	ASTM A351-CF8M
3	Sleeve (Seat)	PPL
4	Gasket	SS304+Flexible Graphite
5	Cover	ASTM A216-WCB
6	Packing	Flexible Graphite
7	Bolt	ASTM A193-B7
8	Nut	ASTM A194-2H
9	Gland	ASTM A216-WCB
10	Adjusting gasket	ASTM A193-B7
11	Wrench	ASTM A216-WCB

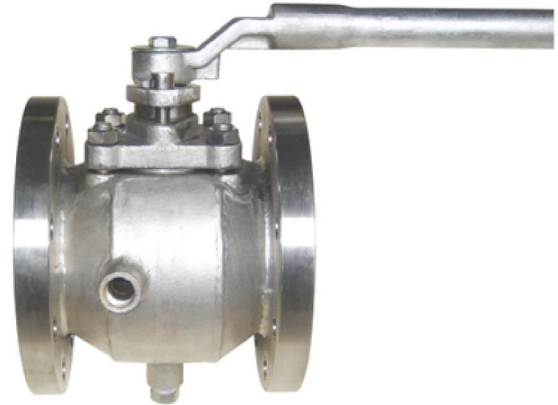
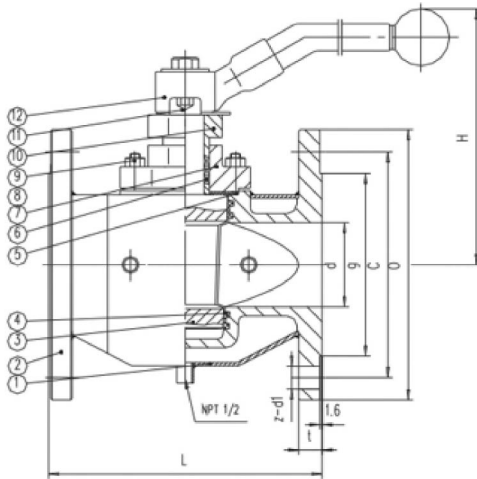
SLEEVE TYPE SOFT SEALING PLUG VALVE ACC. TO ANSI



MAIN PARTS MATERIALS

NO.	Part name	Material
1	Body	ASTM A351-CF8M
2	Plug	ASTM A351-CF8M
3	Sleeve (Seat)	PTFE
4	Gasket	PTFE
5	Cover	ASTM A351-CF8M
6	Packing	PTFE
7	Bolt	ASTM A193-B8
8	Nut	ASTM A194-8
9	Gland	ASTM A351-CF8
10	Adjusting gasket	ASTM A193-B8
11	Wrench	ASTM A216-WCB

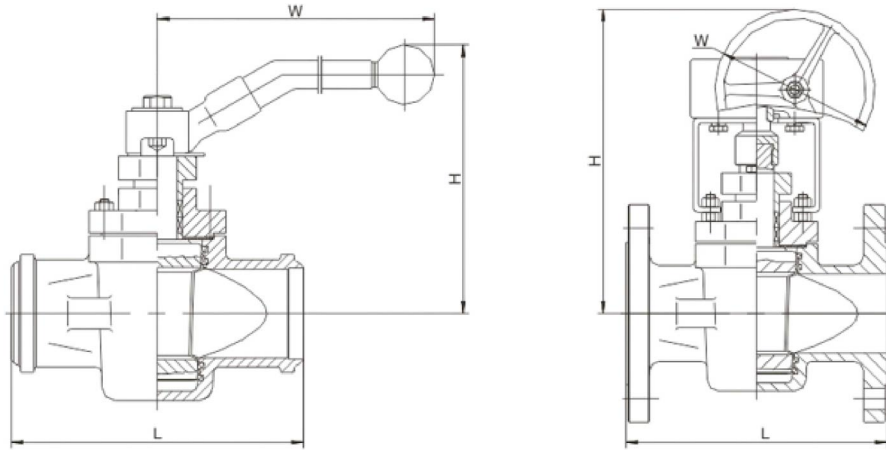
SLEEVE TYPE SOFT SEALING PLUG VALVE ACC. TO ANSI



MAIN PARTS MATERIALS

NO.	Part name	Material
1	Jockey	CS
2	Body	A216-WCB
3	Plug	A351-CF8
4	Seat	PTFE
5	Gasket	PTFE
6	Packing	PTFE
7	Bonnet	A216-WCB
8	Nut	A194-2H
9	Bolt	A193-B7
10	Gland flange	A216-WCB
11	Adjust bolt	A193-B7
12	Wrench	A216-WCB

SLEEVE TYPE SOFT SEALING PLUG VALVE ACC. TO ANSI



Model		X343F/X43F-150LB														
Size	mm	15	20	25	32	40	50	65	80	100	125	150	200	250	300	350
	in	1/2	3/4	1	1 1/4	1 1/2	2	2 1/2	3	4	5	6	8	10	12	14
L		108	117	127	140	165	178	190	203	229	254	267	292	330	356	381
H		110	115	115	135	140	150	165	180	380	460	520	580	620	680	760
W		175	175	175	220	280	305	350	405	300	300	320	320	350	380	450
(Kg)Weight		8.5	9.5	10.5	12	14	18	22	26	40	60	70	130	219	381	570

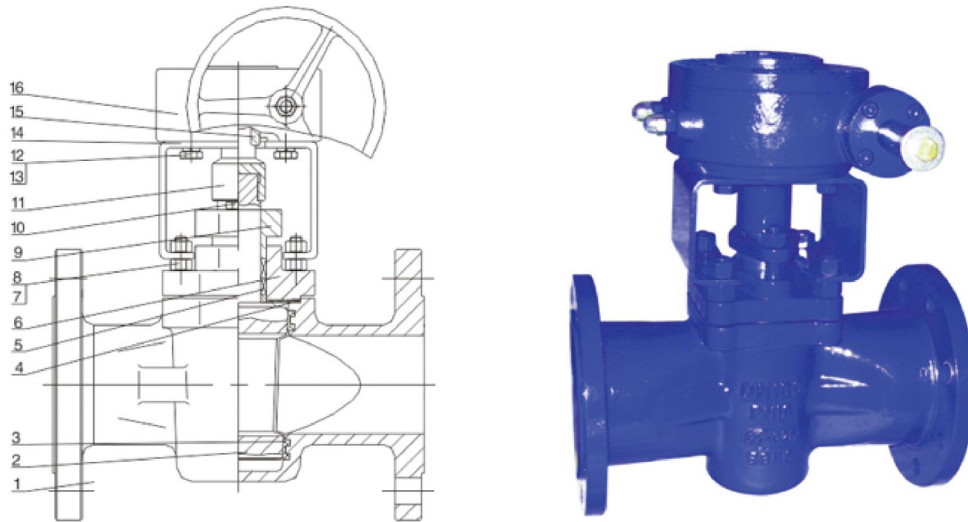
Model		X343F/X43F-300LB														
Size	mm	15	20	25	32	40	50	65	80	100	125	150	200	250	300	350
	in	1/2	3/4	1	1 1/4	1 1/2	2	2 1/2	3	4	5	6	8	10	12	14
L		140	152	165	178	190	216	241	283	305	381	403	419	457	502	762
H		110	115	115	135	140	150	165	180	380	460	502	580	620	680	760
W		175	175	175	220	280	305	350	405	300	300	320	320	350	380	450
(Kg)Weight		9.5	10.5	12	14	16	20	24	29	53	75	85	185	230	390	550

Model		X343F/X43F-600LB														
Size	mm	15	20	25	32	40	50	65	80	100	125	150	200	250	300	350
	in	1/2	3/4	1	1 1/4	1 1/2	2	2 1/2	3	4	5	6	8	10	12	14
L		165	190	216	229	241	292	330	356	432	508	559	660	787	838	889
H		110	115	115	135	140	150	165	180	380	460	520	580	620	680	760
W		175	175	175	220	280	305	350	405	300	300	320	320	350	380	450
(Kg)Weight		11	13	17	20	23	27	31	36	72	98	141	245	330	515	710

Model		X343F/X43F-900LB														
Size	mm	15	20	25	32	40	50	65	80	100	125	150	200	250	300	350
	in	1/2	3/4	1	1 1/4	1 1/2	2	2 1/2	3	4	5	6	8	10	12	14
L		216	229	254	279	305	368	419	381	457	559	610	737	838	965	1029
H		110	115	115	135	140	150	165	180	380	460	520	580	620	680	760
W		175	175	175	220	280	305	350	405	300	300	320	320	350	380	450
(Kg)Weight		13	16	21	24	28	32	40	47	91	117	165	285	420	610	860

4" or above with worm gear

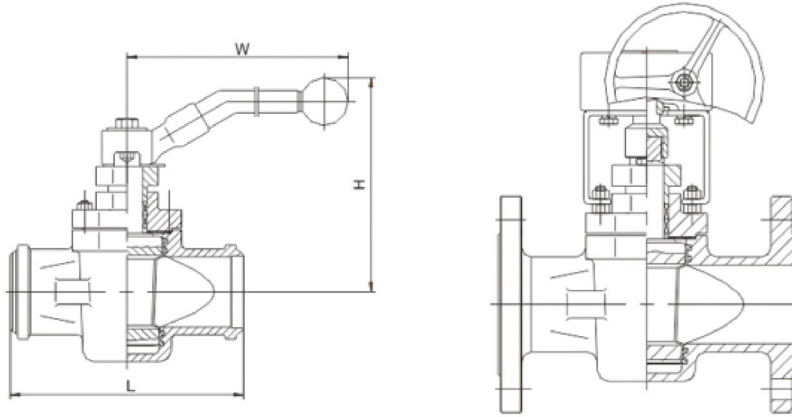
SLEEVE TYPE SOFT SEALING PLUG VALVE ACC. TO DIN



MAIN PARTS MATERIALS

NO.	Part name	Material
1	Body	ASTM A216-WCB
2	Plug	ASTM A351-CF8
3	Sleeve (Seat)	PTFE
4	Gasket	PTFE
5	Packing	PTFE
6	Cover	ASTM A216-WCB
7	Bolt	ASTM A193-B7
8	Nut	ASTM A194-2H
9	Gland	ASTM A216-WCB
10	Bolt	ASTM A193-B7
11	Connect jacket	AISI 1045
12	Bolt	ASTM A193-B7
13	Gasket	AISI 1066
14	Yoke	ASTM A216-WCB
15	Key	AISI 1045
16	Worm	ASTM A536 60-40-18+other

SLEEVE TYPE SOFT SEALING PLUG VALVE ACC. TO DIN



Model	X343F/X43F-16														
Size	15	20	25	32	40	50	65	80	100	125	150	200	250	300	350
L	130	150	160	180	200	230	290	310	350	400	480	600	730	850	980
H	150	155	160	180	190	200	220	230	380	460	520	580	620	680	740
W	300	300	300	350	400	500	500	550	300	300	320	320	350	380	380
(Kg)Weight	9	10	11	13	14	19	23	27	43	62	75	155	222	390	580
Model	X343F/X43F-25														
Size	15	20	25	32	40	50	65	80	100	125	150	200	250	300	350
L	130	150	160	180	200	230	290	310	350	400	480	600	730	850	980
H	150	155	160	180	190	200	220	230	380	460	520	580	620	680	740
W	300	300	300	350	400	500	500	550	300	300	320	320	350	380	380
(Kg)Weight	10	11	13	15	17	22	31	55	77	88	190	190	235	399	680
Model	X343F/X43F-40														
Size	15	20	25	32	40	50	65	80	100	125	150	200	250	300	350
L	130	150	160	180	200	230	290	310	350	400	480	600	730	850	980
H	150	155	160	180	190	200	220	230	380	460	520	580	620	680	740
W	300	300	300	350	400	500	500	550	300	300	320	320	350	380	380
(Kg)Weight	12	14	18	21	24	29	33	39	75	103	146	251	337	521	720
Model	X343F/X43F-64														
Size	15	20	25	32	40	50	65	80	100	125	150	200	250	300	350
L	130	150	160	180	200	230	290	310	350	400	480	600	730	850	980
H	150	155	160	180	190	200	220	230	380	460	520	580	620	680	740
W	300	300	300	350	400	500	500	550	300	300	320	320	350	380	380
(Kg)Weight	14	17	22	25	29	22	43	50	94	123	170	291	430	625	675

4" or above with worm gear

3-WAY / 4-WAY PLUG VALVE

PRODUCT STRUCTURAL FEATURES

3-way, 4-way plug valve is applicable to change the media flowing direction or to distribute the media, that are used in various industries such as petroleum, chemical industry, pharmacy, chemical fertilizer, power, Industry etc. under nominal pressure class 150-900LBS, PN1.0-16.0, Working temperature -29°C ~ 550°C.

MAIN STRUCTURAL FEATURES

- 1、The product has reasonable structure, reliable sealing, excellent performance and beautiful appearance.
- 2、According to different conditions, the 3-way, 4-way plug valve can be designed into diverse media flowing forms(eg."L" type or "T" type) or all kinds of material (eg.Iron, cast steel, stainless steel) or unlike sealing forms(eg. Metal to metal, sleeve Type, lubricated, etc).
- 3、The materials of the parts and sizes of flanges can be reasonably configured according to the actual operation condition of the requirements of the customers, so as to meet the various needs of engineering.

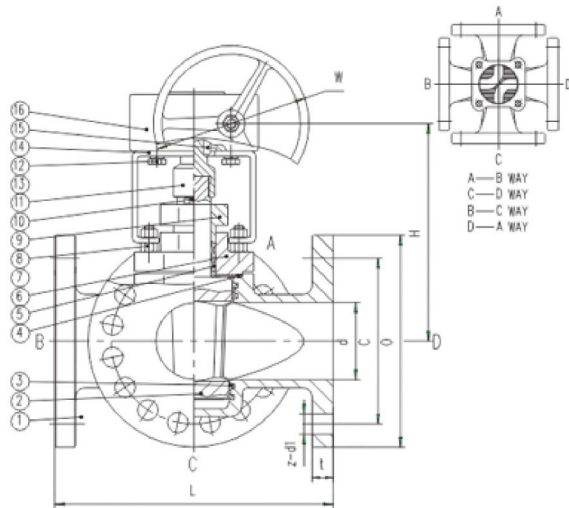
TECHNICAL SPECIFICATION

Structural formation	BB-BG
Driving manner	Wrench wheel, worm & worm gear, pneumatic, electric-actuated
Design standard	API 599, API 6D
Face to face	ASME B16.10, EN558
Flange ends	ASME B16.5, EN1092
Test & inspection	API590, API6D, DIN3230

PRODUCTS PERFORMANCE SPECIFICATION

(LB) Nominal pressure	(MPa) Shell test	(MPa) Sealing test	(LB) Nominal pressure	(MPa) Shell test	(MPa) Sealing test
150	3.0	2.2	1.6	2.4	1.76
300	7.5	5.5	2.5	3.75	2.75
600	15.0	11.0	4.0	6.0	4.4
900	22.5	16.5	6.4	9.6	7.04
			10.0	15.0	11.0
			16.0	24.0	17.6

4-WAY PLUG VALVE

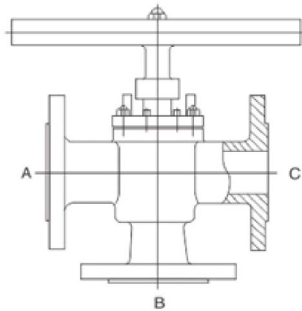


MAIN PARTS MATERIALS

NO.	Part name	Material
1	Body	B148-C95800
2	Plug	B148-C95800
3	Seat	PTFE
4	Gasket	PTFE
5	Packing	PTFE
6	Bonnet	B148-C95800
7	Bolt	A193-B8M
8	Nut	A194-8M
9	Gland Flange	B148-C95800
10	Bolt	A193-B8M
11	Connecting sleeve	AISI-1045
12	Bolt	AISI-1035
13	Gasket	AISI-1066
14	Yoke	CS
15	Key	AISI-1045
16	Worm	A536 60-40-18+other

3-WAY / 4-WAY PLUG VALVE

Bore forms & Media Flowing Forms for 3-Way, 4-Way Plug Valve

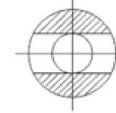


Plug structure(1)



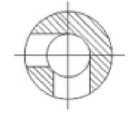
Media flowing forms
① A→B ② B→C ③ Fully closed

Plug structure(2)

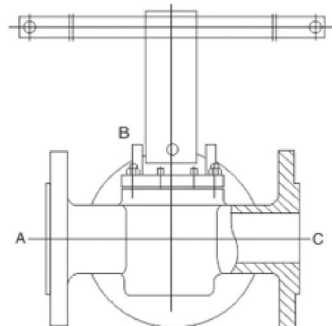


Media flowing forms
① A→B→C
② Fully closed

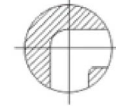
Plug structure(3)



Media flowing forms
① A→B ② B→C

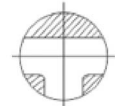


Plug structure(4)

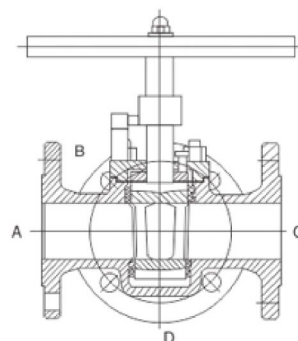


Media flowing forms
① A→B ② B→C
③ Fully closed

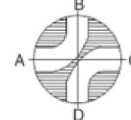
Plug structure(5)



Media flowing forms
① A→B→C ② A→B
③ B→C A→C

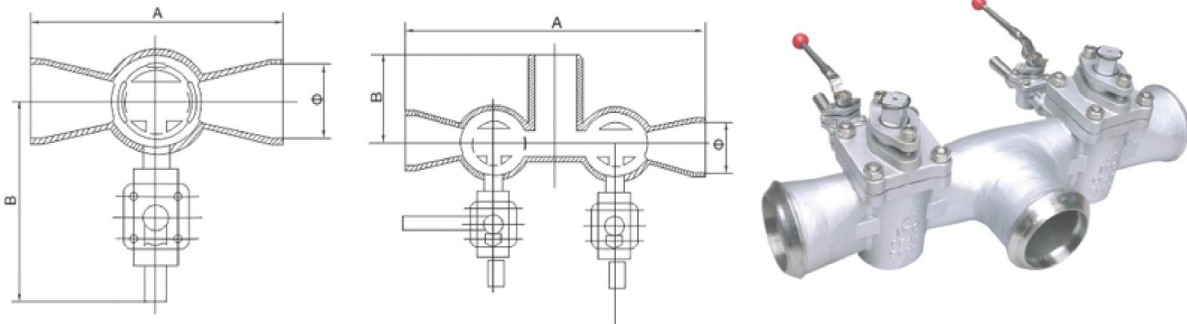


Plug structure(9)



Media flowing forms
① A→D C→B ② A→B D→C
③ Fully closed

SINGLE (DOUBLE) FLUSH PLUG VALVE



NPS Nominal diameter(in)	150LB (SINGLE FLUSH)			NPS Nominal diameter(in)	150LB (DOUBLE FLUSH)			
	A	B	Φ		A	B	C	Φ
2	216	278	54.8	2	356	115	278	54.8
3	283	278	82.8	3	406	140	293	82.8
4	305	293	108.2	4	458	150	308	108.2
6	403	308	161.5	6	534	200	320	161.5
8	419	320	211.6	8	584	270	270	211.6
10	457	333	264.7	10	660	350	350	264.7
300LB (SINGLE FLUSH)				300LB (DOUBLE FLUSH)				
	A	B	Φ		A	B	C	Φ
2	216	278	54.8	2	432	115	278	54.8
3	283	278	82.8	3	566	140	293	82.8
4	305	293	108.2	4	610	150	308	108.2
6	403	308	161.5	6	806	200	320	161.5
8	419	320	211.6	8	838	270	270	211.6
10	457	333	264.7	10	914	350	350	264.7



A PART OF
— USA —
CLINTON
— TEXON —
CLINTON TEXON GROUP, USA

Clinton Texon Group LLC
108 West 13th Street Wilmington, DW 19801
United States
www.vocester-usa.com