



Lined Swing Check Valve

Material Specification

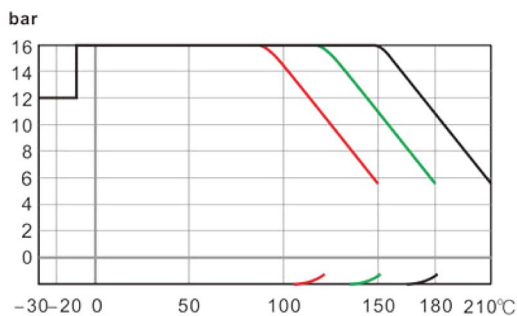
Nominal Diameter		DN15-DN400, 1/2"~16"		
Nominal Pressure		1.0MPa 1.6MPa 150LB		
No.	Name	Material Lists		
1	Body, Disc, Bonnet	WCB+Lining Material	CF8/CF8M+Lining Material	CF3/CF3M+Lining Material
2	Ball	PTFE		
3	Lining Material	PFA, PTFE, FEP, GXPO		
4	Bolt	A193 B7	A193 B8	A193 B8M

Technical Specification

Design & Manufacture Standard		API 6D		
Face to Face		ASME B16.10		
Flange Standard		ASME B16.5, JIS B2220		
Inspection and Test Standard		API 598		
Nominal Diameter		1/2" ~ 16"		
Nominal Pressure		1.0 MPa	1.6 MPa	150 LB
Test Pressure	Shell Test	1.5 MPa	1.5 MPa	1.5 MPa
	High Pressure Sealing	1.1 MPa	1.1 MPa	1.1 MPa
	Low Pressure Sealing	0.6 MPa	0.6 MPa	0.6 MPa
Temperature Range		PFA: -29°C~200°C PTFE: -29°C~180°C FEP: -29°C~150°C GXPO: -10°C~80°C		
Applicable Medium		STRONG CORROSIVE MEDIUM I.E. HYDROCHLORIC ACID, NITRIC ACID, HYDROFLUORIC ACID, LIQUID CHLORINE, SULFURIC ACID AND AQUA REGIA ETC.		

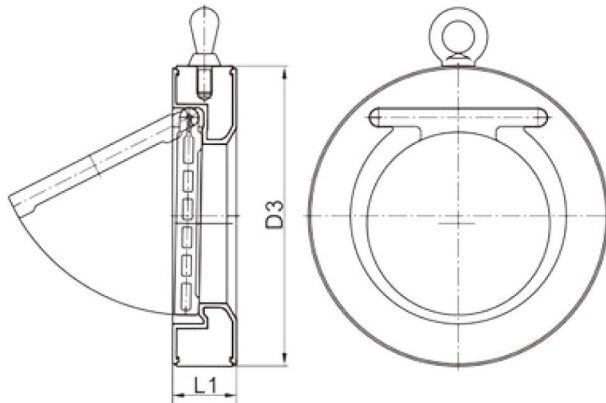
Note: Test standard refers general valve standard, high pressure should be customized for processing.

Pressure-Temperature Curve

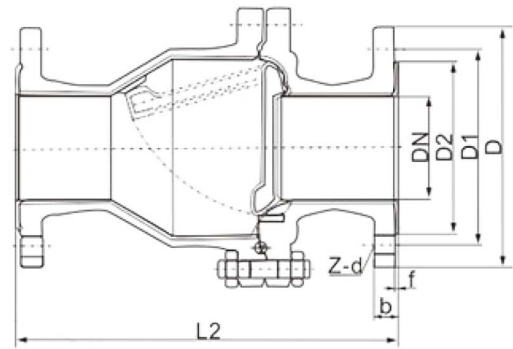


Vacuum: 0.1mbar

Note: — PFA — PTFE — FEP



PFA / F4 / F46 / GXPO



PFA / F4 / F46 / GXPO

PN10

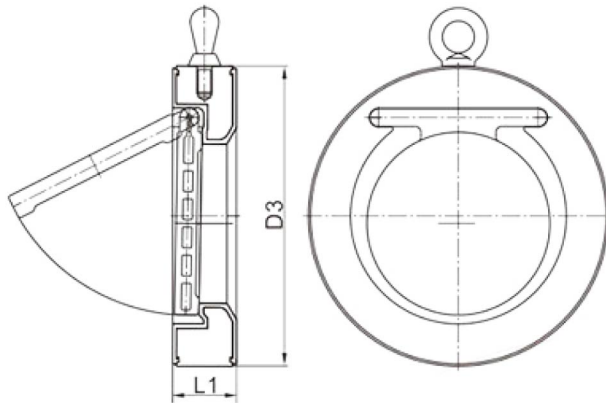
mm

DN	L1	L2	D	D1	D2	D3	Z-d	f	b
15	-	130	95	65	45	-	4-14	3	16
20	-	150	105	75	55	-	4-14	3	16
25	-	160	115	85	65	-	4-14	3	16
32	-	180	140	100	78	-	4-18	3	17
40	-	200	150	110	85	-	4-18	3.5	17.5
50	43	230	165	125	100	100	4-18	3.5	19
65	46	290	185	145	120	120	4-18	3.5	20
80	46	310	200	160	135	133	4-18	4	21
100	52	350	220	180	155	162	8-18	4	23
125	56	400	250	210	185	189	8-18	4	24
150	56	480	285	240	210	216	8-22	4	26
200	60	495	340	295	265	272	8-22	4	26
250	68	550	395	350	320	320	12-22	4	28
300	78	620	445	400	368	386	12-22	4	29
350	78	720	505	460	428	435	16-22	5	29

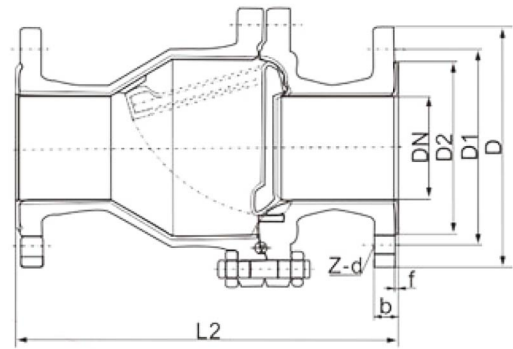
PN16

mm

DN	L1	L2	D	D1	D2	D3	Z-d	f	b
15	-	130	95	65	45	-	4-14	3	16
20	-	150	105	75	55	-	4-14	3	16
25	-	160	115	85	65	-	4-14	3	16
32	-	180	140	100	78	-	4-18	3	17
40	-	200	150	110	85	-	4-18	3.5	17.5
50	43	230	165	125	100	100	4-18	3.5	19
65	46	290	185	145	120	120	4-18	3.5	20
80	46	310	200	160	135	133	8-18	4	21
100	52	350	220	180	155	162	8-18	4	23
125	56	400	250	210	185	189	8-18	4	24
150	56	480	285	240	210	216	8-22	4	26
200	60	495	340	295	265	272	12-22	4	26
250	68	550	405	355	320	320	12-26	4	28
300	78	620	460	410	375	386	12-26	4	29
350	78	720	520	470	435	435	16-26	5	29



PFA / F4 / F46 / GXPO



PFA / F4 / F46 / GXPO

PN25

mm

DN	L1	L2	D	D1	D2	D3	Z-d	f	b
15	-	130	95	65	45	-	4-14	3	16
20	-	150	105	75	55	-	4-14	3	16
25	-	160	115	85	65	-	4-14	3	16
32	-	180	140	100	78	-	4-18	3	17
40	-	200	150	110	85	-	4-18	3.5	17.5
50	43	230	165	125	100	100	4-18	3.5	19
65	46	290	185	145	120	120	8-18	3.5	20
80	46	310	200	160	135	133	8-18	4	21
100	52	350	230	190	160	162	8-22	4	23
125	56	400	270	220	188	189	8-26	4	24
150	56	480	300	250	218	216	8-26	4	26
200	60	495	360	310	278	272	12-26	4	26
250	68	550	425	370	332	320	12-30	4	28
300	78	620	485	410	375	386	16-30	4	29
350	78	720	550	490	448	435	16-34	5	29

ASME B16.5 Class150

mm

in	L1	L2	D	D1	D2	D3	Z-d	f	b
1/2"	-	130	90	60.5	35	-	4-16	3	12
3/4"	-	150	100	70.0	43	-	4-16	3	12
1"	-	160	110	79.5	51	-	4-16	3	12
1 1/4"	-	180	115	89.0	64	-	4-16	3	13
1 1/2"	-	200	125	98.5	73	-	4-16	3.5	15
2"	43	230	152	120.5	92	100	4-19	3.5	16
2 1/2"	46	290	180	139.5	105	120	4-19	3.5	18
3"	46	310	190	152.5	127	133	4-19	4	19
4"	52	350	230	190.5	157	162	8-19	4	24
5"	56	400	255	216.0	186	189	8-23	4	24
6"	56	480	280	241.5	216	216	8-23	4	26
8"	60	495	345	298.5	270	272	8-23	4	29
10"	68	550	405	362.0	324	320	12-25	4	31
12"	78	620	485	432.0	381	386	12-25	4	35
14"	78	720	535	476.0	413	435	16-29	5	39



A PART OF
USA
CLINTON
TEXON
CLINTON TEXON GROUP, USA

Clinton Texon Group LLC
108 West 13th Street Wilmington, DW 19801
United States
www.vocester-usa.com